

TECN  CARE  
ERGONOMIC SOLUTIONS



# TECNOCARE

ERGONOMIC SOLUTIONS

## A NEW ERA

Tecnocare® is the new medical division of Tecnodent® specialized in developing top-class high-customized patient chairs, treatment tables and operator stools.

Italian tradition and craftsmanship expertise since 1966 are the base of Tecnocare®'s capability to design and manufacture innovative products devoted to the specific medical needs.



Our goal it is to provide for patients and doctors the greatest comfort in terms of ergonomics, quality, accessibility, hygiene and functionality, as well as aesthetic, tactile and visual pleasure. Tecnocare® can supply a full range of products to equip a complete medical cabinet, assuring total comfort and efficiency in a carefully and design setting according to doctor's and patient's needs.

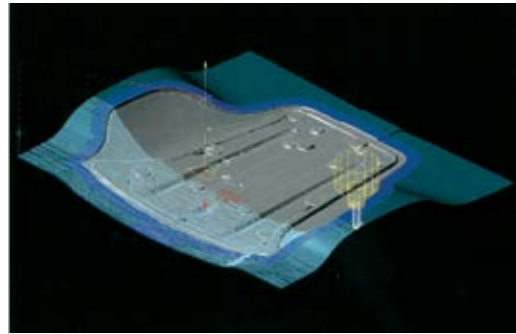
## ERGONOMIC SOLUTIONS

Ergonomics is the science concerned with the interactions between humans and technology.

It is the quality of something which is not felt foreign to one's own body and which becomes one with it.

Always paying careful attention to new technologies, Tecnocare® invests continuously in research to develop products that are innovative and human friendly, conceived to let the person feel comfortable and at home in every possible situation.

## EXCITING IDEAS



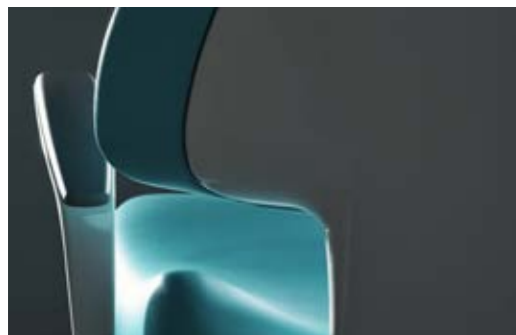
Dreaming and freeing the imagination; lines drawn in full creativity; shapes and materials that stimulate intuition; colours that kindle emotions. That's how a new product is born.

## TECHNOLOGY



Three different kinds of polyurethane (PU) can be obtained by moulding: structural or rigid PU (can be co-moulded with metal inserts); integral PU (semi-rigid, with or without metal inserts); flexible PU (similar to foam rubber, used for upholstery). The covers and some supporting parts of the chairs and stools are made of structural and integral PU. The upholstery, made with flexible PU and covered by imitation leather, is entirely seamless and with no sharp edges for maximum hygiene and easy cleaning.

## DESIGN & CHROMOTHERAPY



Tecnocare's R&D department carefully researches, day by day, for new materials and technologies, going beyond market trends. Tecnocare employs advanced CAD systems to design its products and develop 3D models. A special division of the Engineering Department is specifically dedicated to the production of prototypes. Our wide range of leatherette colours is the result of a long and careful analysis of the benefits of Chromotherapy. As a result, our products are conceived to suit every kind of need.

## HYGIENE & RELIABILITY



The continuous research and the Tecnocare know-how in polyurethane field developed unique seamless moulded upholsteries for the best hygiene. In order to grant a total reliability, all our chairs and stools have solid structures, high performances and top quality components.

## ERGONOMICS



The comfortable and functional design and the user-friendly systems of our products have been studied with contributions from psychology, engineering, biomechanics, mechanobiology, industrial design, physiology and anthropometry. Tecnocare's chairs and stools fit the human body and its cognitive abilities.

## PRODUCTION



Tecnocare's quality system is at the basis of the chain of production, to ensure top quality and full conformity with the company's stringent production requirements. In this value chain, suppliers and production staff work together to achieve the same goal: customer satisfaction.

## QUALITY CONTROL



Every single product undergoes severe quality inspections during production and assembly, during acceptance testing and during packing (visual inspection). The conformity tests include mechanical operation tests, electronic tests, electric compatibility tests and aesthetic-visual inspections, especially on the paintwork and upholstery.

## RESPECT FOR THE ENVIRONMENT



Tecnocare uses HCFC-free polyurethane, which means that no hydrofluorocarbons harmful for the atmosphere are used.



## INDEX

TREATMENT CHAIRS ..... 11

TREATMENT TABLES ..... 37

STOOLS ..... 45

CARTS & TECHNICAL SOLUTIONS ..... 55

**TREATMENT CHAIRS**



<b>LINDA3</b>	pg 12
<b>LINDA3 ORL</b>	pg 14
<b>LINDA3 3 Motors</b>	pg 16
<b>LINDA NEXT</b>	pg 18
<b>STING</b>	pg 20
<b>LINDA3 PODO</b>	pg 22
<b>LINDA3 PODO Bis</b>	pg 23
<b>PODIATRY CHAIRS</b>	pg 24

<b>HEADRESTS</b>	pg 25
<b>SERENITY NEXT</b>	pg 26
<b>BLOOD TEST CHAIR - 9SP0047P</b>	pg 29
<b>MEMORY 9SP5231</b>	pg 30
<b>ZOE</b>	pg 31

**TREATMENT TABLES**



<b>9LV0005</b>	pg 34
<b>9LV0010</b>	pg 34
<b>9LV0015</b>	pg 35
<b>9LV0030</b>	pg 36

<b>9LV0031</b>	pg 36
<b>9LV0032</b>	pg 37
<b>9LV0040</b>	pg 37
<b>9LV0042</b>	pg 38

**STOOLS**



<b>PLUTO</b>	pg 42
<b>PLUTO LE</b>	pg 42
<b>VENUS</b>	pg 43
<b>ERGO D</b>	pg 44
<b>ERGO A</b>	pg 45
<b>ERGO S</b>	pg 46

<b>STING ST/LE</b>	pg 47
<b>STING F</b>	pg 48
<b>STING O</b>	pg 48
<b>EGG O</b>	pg 49
<b>EGG R</b>	pg 49
<b>EGG IRON</b>	pg 50

**CARTS & TECHNICAL SOLUTIONS**



<b>9CI0109</b>	pg 52
<b>9CM0012</b>	pg 52
<b>9ZERO1062</b>	pg 53

<b>9CS6221</b>	pg 54
<b>9CL6109EM</b>	pg 55
<b>A-LINE 9CL6109A</b>	pg 55

# TREATMENT CHAIRS

*Elegant, functional, italian unique design...find out which chair best suits your demanding taste and professionalism.  
Built to win the challenge of your expectations.*



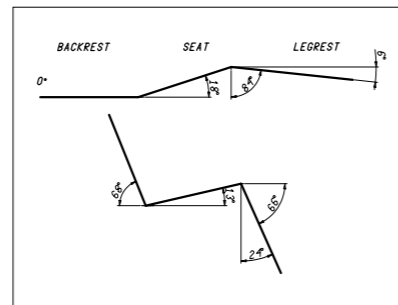
# LINDA3

- AESTHETIC
- BEAUTY & LASER TREATMENTS
- DENTAL LAB
- DERMATOLOGY
- GENERAL MEDICAL EXAMINATIONS
- ORTHODONTICS
- MAXILLO FACIAL
- PROSTHODONTICS
- SURGERY
- TRICHOLOGY

This chair embodies the symbol of Tecnodent's philosophy. Enduring elegance and design, soft pure lines, perfect combination of polyurethane and metal for absolute reliability and optimal ergonomics.

## Standard features

- Electromechanical lifting, lowering and tilting movements
- Compensated backrest tilting, up to the horizontal position
- Anatomic and slim anatomical backrest for the maximum liberty of action of the professional
- Multi-articulated anatomical headrest ELLE FISSO for a patient's comfortable posture and for a perfect visibility during the treatment
- Wrapping seamless upholstery in high quality leatherette fabric
- Possible customization with different colors of polyurethane and fabric
- Double Joystick control on the base for quick and efficient chair movements with hands free, allowing the assistant perfect control of the chair
- Complete symmetry for right-handed or left-handed professional
- Anatomical backrest with lateral armrest support wings for the highest patient's comfort
- RAL9002 standard chair painting
- Automatic programs: "zero", rinse, last position
- Security STOPS on the backrest and on the legrest



## Options

- Further three memorizable positions
- Possibility to equip the chair with one/two rotating armrests to improve the accessibility to the chair and to ensure a natural support for the arms, allowing a relaxed position during the treatment
- Different chair painting colors
- Memory Foam or Hand Made Soft Foam upholstery
- Different headrests are available according to specific treatment needs
- Mobile foot pedal control "Easy Touch"
- Fixed metal "C" base
- European or American unit bracket
- Swiveling base
- Swiveling base with IR remote control
- Children pillow available



"C" Base



Swivel base



Infrared remote control (available with rotating base)



Mobile foot pedal control "Easy Touch"



Children pillow



Right and/or left armrests



Soft foam

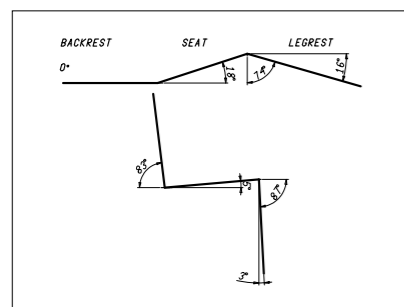
# LINDA3 ORL

- AESTHETIC    AUDIOLOGY    BEAUTY & LASER TREATMENTS    COSMETIC DENTISTRY    DENTAL LAB    DERMATOLOGY
- ENT    GENERAL MEDICAL EXAMINATIONS    MAXILLO FACIAL    NEUROSTIMULATION    OPHTHALMOLOGY
- OTOLOGY    PROSTHODONTICS    SURGERY    TRICHOLOGY    X-RAY

This multipurpose chair combines functionality, ergonomics safety and quality with a smart and reassuring design.

## Standard features

- Electromechanical up&down and backrest tilting movements, backrest-leg rest synchronism to reach the Trendelenburg position
- ELLE FISSO headrest, with long-section sliding
- Longitudinal rotating base with rotation angle 325°
- Anatomical backrest with lateral armrest support wings for the highest patient's comfort
- Complete symmetry for left- and right-handed professionals
- Infra-red control
- Anti-crushing safety stop onto the backrest and leg rest, for an emergency stop of the chair
- Automatic memory of the last operating position
- 3 Programmable operating positions
- Leg section inclination up to 90° for easy chair accessibility
- Minimum height 50 cm, for the easiest access to the chair, also for elder or disabled persons
- Ral 9002 painting
- Automatic memorized return to "0" position at the end of the treatment
- Two rotating armrests to improve chair accessibility and to ensure a natural support for the arms, allowing a relaxed position during the treatment
- Possible customization with different colors of polyurethane and fabric



Swivel base



Infrared control

ELLE FISSO headrest



Right / left armrest

## Options

- Different headrests are available according to specific treatment needs
- Mobile foot pedal control "Easy Touch"
- Joystick controls
- European or American unit bracket
- Fixed compact metal base with joysticks
- Different chair painting colors
- Children pillow available
- Memory Foam or Hand Made Soft Foam upholstery



Mobile pedal control or Joystick control



"C" Base



Children pillow



Soft foam



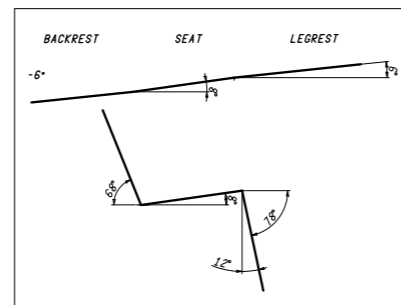
# LINDA3 3 Motors

- AESTHETIC
- BEAUTY & LASER TREATMENTS
- COSMETIC DENTISTRY
- DENTAL LAB
- DERMATOLOGY
- DIABETOLOGY
- ENDOCRINOLOGY
- GENERAL MEDICAL EXAMINATIONS
- LASER TREATMENTS
- MAXILLO FACIAL
- ORTHODONTICS
- PROSTHODONTICS
- SURGERY
- TRICHOLOGY

This chair is a step forward compared to our unmistakable Linda 3. The third motor feature enable to reach the table position enlarging the range of treatment purposes.

## Standard features

- Electromechanical lifting, lowering and backrest tilting movements synchronized with the leg rest
- Compensated backrest tilting, up to the horizontal position
- Ultra-slim anatomic backrest with lateral arm support wings for the highest patient's comfort
- Anatomic headrest ELLE FISSO ensures the maximum comfort for the patient and the perfect visibility for the professional
- Wrapping seamless upholstery in high quality artificial leather
- Possible customization with different colors of polyurethane and fabric
- Complete symmetry for right-handed or left-handed professionals
- Double Joystick control on the base for quick and efficient chair movements with hands free, allowing the assistant perfect control of the chair
- Security STOPS on the backrest and on the legrest
- Automatic programs: "zero", rinse, last position
- C metal anthracite base
- Independent legrest movement with third motor
- Leg section at 78° for easy patient access
- Short Legrest
- RAL 9002 standard chair painting
- Anatomical backrest with lateral armrest support wings for the highest patient's comfort



## Options

- Mobile foot pedal control "Easy Touch"
- Swiveling base
- European or American unit bracket
- Different headrests are available according to specific treatment needs
- Possibility to equip the chair with one/two rotating armrests to improve the accessibility to the chair and to ensure a natural support for the arms, allowing a relaxed position during the treatment
- Different chair painting colors
- Memory Foam or Hand Made Soft Foam upholstery
- Children pillow available



Swivel base



Mobile pedal control "Easy Touch"



Children pillow



Soft foam

# LINDA NEXT

- AESTHETIC   BEAUTY & LASER TREATMENTS   DENTAL LAB   DERMATOLOGY   DIABETOLOGY   ENDOCRINOLOGY
- GENERAL MEDICAL EXAMINATIONS   LASER TREATMENTS   MAXILLO FACIAL   ORTHODONTICS
- PROSTHODONTICS   SURGERY   TRICHOLOGY

Strong and flexible, ergonomic and functional, with a lifting capacity up to 300 kg. Wide range of accessories and options to keep up with the most modern and ambitious professional's needs.

## Standard features

- Complete symmetry for right – or left-handed professionals
- Electromechanical lifting, lowering and backrest tilting
- Backrest movement synchronized with leg section
- Automatic extensible PU foot section
- Independent Trendelenburg movement
- Automatic built in programs for patient positioning: table, Trendelenburg, rinse, last and zero position
- 3 operator profiles with 3 programmable positions each
- Safety security STOPS on backrest, legrest and controls
- SLOW MODE feature for precise movements
- Maximum lifting capacity 300 Kg
- 24 DC linear actuators
- Soft start & soft stop
- Joystick control
- ELLE FISSO headrest
- Standard molded upholstery
- RAL 9003 painting
- Different PU and fabric colors



## Options

- Independent leg section
- Swiveling Left & Right armrests
- Different headrests are available according to specific treatment needs
- Memory or hand made soft foam upholsteries
- Backrest motorized height adjustment
- Wheels
- Rotation
- Backup Battery
- Different chair painting colors
- IR remote control
- European or American unit bracket
- Children pillow available
- Leg section foot protection
- Stabilizing plate



Adjustable armrests



Sliding backrest



Sliding backrest



Soft foam



IR Remote control



Children pillow

# STING

- AESTHETIC
- BEAUTY & LASER TREATMENTS
- COSMETIC DENTISTRY
- DENTAL LAB
- DERMATOLOGY
- GENERAL MEDICAL EXAMINATIONS
- MAXILLO FACIAL
- NEUROSTIMULATION
- ORTHODONTICS
- PROSTHODONTICS
- SURGERY

Perfect combination between strong knowhow, hand-craftsmanship, refined materials and futuristic design.

## Standard features

- Electromechanical lifting, lowering and tilting movements
- Compensated backrest tilting, up to the horizontal position
- Slim anatomic backrest for the maximum treatment functionality
- Multi-articulated UNI headrest for the best patient comfortable treating posture
- High quality wrapping upholstery without seams
- Possible customization with different colors of polyurethane and fabric
- Integrated utility box
- Complete symmetry for right-handed or left-handed professional
- Joystick control on the base for fast and efficient hands free chair movements
- Ral 9003 + silver
- Security STOPS on backrest, base and pantograph arm
- Automatic programs: "zero", rinse, last position



Unit/lamp attachment



Joystick control



## Options

- Possibility to program 3 different working positions
- Possibility to equip the chair with one/two rotating armrests to improve the accessibility of the chair and to assure a natural support for the arms, allowing a relaxed position during the treatment
- Memory Foam and Hand Made Soft Foam upholstery
- Children pillow available
- Trendelenburg position
- Mobile foot pedal control "Easy Touch"
- IR remote control
- Stabilizing base plate
- Possibility to equip the chair with European or American unit bracket
- Different chair painting colors
- Bi-colour white and silver front cover
- Different headrests are available according to specific treatment needs
- Central arm and rotation



Trendelenburg Movement



Bi-color front cover



Stabilizing plate for base



Right / left armrest



Children pillow



Soft foam



Mobile foot pedal control "Easy Touch"



Infrared control

## LINDA3 PODO

AESTHETIC | DIABETOLOGY | GENERAL MEDICAL EXAMINATION | PEDIATRY

Podiatric chair equipped with electronically controlled independent movements of height, backrest and leg-rest inclination. Perfect combination of elegant pure lines, reliability and ergonomics.

### Standard features

- Electromechanical up/down movements, tilting backrest, adjustable leg rest
- Anatomical backrest
- Ergonomic PODO headrest
- Possible customization with different colors of polyurethane and fabric
- Fully left and right symmetry, for both left and right handed professionals
- Mobile high precision pedal control
- Emergency chair stops on backrest and leg rest
- Wrapping upholstery without seams
- Independent leg section movement
- RAL9002 standard chair painting
- Automatic return to "0" position after the treatment
- 3 programmable operating positions
- Minimum height 50 cm, which allows easy access also for elder and disabled patients
- Wrapping upholstery without seams

### Options

- Memory Foam or Hand Made Soft Foam upholstery
- Possibility to equip the chair with one/two rotating armrests to improve the accessibility to the chair and to ensure a natural support for the arms, allowing a relaxed position during the treatment
- Inox basin with support
- Different chair painting colors
- Magnetic leg rest pillow
- Children pillow
- Tray Holder with Tray
- Rotation
- Different headrests are available according to specific treatment needs



## LINDA3 PODO Bis

AESTHETIC | DIABETOLOGY | PEDIATRY

This chair allows the doctor to choose the most proper positioning of the patient's foot and give the professional more freedom and place to operate on one single foot.

### Standard features

- Electromechanical up/down movements, tilting backrest
- Anatomical backrest, with lateral arm support wings, to enhance the patient's comfort
- Ergonomic PODO headrest
- Fully left and right symmetry, for both left and right handed professionals
- Mobile high precision pedal control
- Emergency chair stop onto both backrest and leg rest
- Independent and manually length, angle and inclination adjustable leg-rests
- Anatomical upholstery without seams
- RAL9002 standard chair painting
- Possible customization with different colors of polyurethane and fabric
- Automatic return to "0" position after the treatment
- Automatic memory of last operating position
- Minimum height 50 cm, which allows easy access also for elder and disabled patients

### Options

- Memory Foam or Hand Made Soft Foam upholstery
- 3 programmable operating positions
- Children pillow
- Different chair painting colors
- Tray Holder with Tray
- Rotation
- IR remote control with rotation
- Different headrests are available according to specific treatment needs
- Possibility to equip the chair with one/two rotating armrests to improve the accessibility to the chair and to ensure a natural support for the arms, allowing a relaxed position during the treatment



# PODIATRY CHAIRS

## OPTIONS & FEATURES



**PODO headrest**  
Anatomical headrest for a perfect cervical support.



**Standard base**  
Compact polyurethane base which guarantees stability and liberty of access and movements to the professional.



**Mobile foot pedal control "Easy Touch"**  
Easy and functional foot control which provides different precise treatment positions and doctor's hands-free control.



**Right and/or left armrest (OPTION)**  
Rotating armrests help the patient to get on/off the chair.



**Infrared control (OPTION) available with rotating base**  
Allows to choose and set the chair position.



**Magnetic cushion leg support (OPTION)**



**Stainless steel basin with support (OPTION)**



**Instrument tray (OPTION)**  
Functional instrument tray at the side of the seat.



**Rotating base (OPTION)**  
Allows a 325° rotation around the chair's longitudinal axis.



**Children pillow (OPTION)**

# HEADRESTS

Tecnocare manual headrests are available in four different models: **Elle Fisso**, **Elle Mobile**, **UNI** and **Light**. Each headrest is made for meeting every operator's need.

## MULTI-ARTICULATED HEADRESTS

The UNI and Light are multiarticulated headrests and allow head positioning along 3 axis. UNI headrest is available in integral or structural painted Polyurethane.



UNI

Light



UNI in structural painted PU

## DOUBLE ARTICULATED HEADRESTS

ELLE Fisso has only the movement along its vertical axis.

ELLE Mobile is an anatomical headrest, characterized by movement of inclination of the upper part (double articulation) for a correct cervical support.



ELLE

## MAGNETIC PILLOWS

Magnetic C95 and C2002 pillows enable the perfect head positioning both for adults and pediatric patient treatments.



C 95

C 2002

# SERENITY NEXT

- GYNECOLOGICAL EXAMINATIONS & DIAGNOSTIC
- HYSTEROSCOPY
- LASER TREATMENTS
- MEDICALLY ASSISTED PROCREATION
- OBSTETRICS EXAMINATIONS & MONITORING
- PROCTOLOGY
- SCREENING & COLPOSCOPY MONITORING
- ULTRASOUND DIAGNOSTIC
- UROLOGY

Reassuring design, ergonomics and functionality. Lifting capacity up to 250 kg. Easy treating and advanced features. Maximum comfort for both operator and patients.

## Standard features

- Electric movement up, down, Trendelenburg, reverse Trendelenburg and backrest recline
- Paper roll holder 60 cm
- Pushbutton control
- Security stops
- Soft start and stop
- Stainless steel 2L basin
- Wrapping seamless upholsteries with antimicrobial feature (different colors available)



## Options

- 2 auxiliary electric sockets IPX4 in the base (300W)
- Back-up battery (for brief movement in the absence of power supply)
- Colposcope support arm, with anti-crushing safety feature
- Doctor footrest
- Electrically controlled footrests with arc supports
- Electrically heated seat upholstery
- External wheels Ø 50mm
- Fireproof and antistatic fabric available
- Foot pedal with 3 user profiles, 1 preset program + 3 programmable positions for each profile
- Footrests with arc supports and 3-lever adjustment
- Göpel leg holders with 3 levers
- Göpel leg holders with 2 levers and vertical lowering
- Infusion transfusion armrest
- Instrument tray
- Integrated extractable leg-rest
- Magnetic headrest cushion
- Memory Foam upholstery
- Movable patient side handles
- Pedal control with display
- Quick Release system for emergency backrest manual lowering
- Round basin for urological visits with valve
- Slow mode for precision, ultra-slow patient positioning / available with foot pedal only
- Tool holder lateral bars



Auxiliary sockets



Colposcope-support-arm



Doctor footrest



Electrical footrest



Extractable leg-rest



Foot pedal



Footrest arc support with 3 levers



Göpel leg holders with 3 levers



Göpel leg holders with 2 levers and vertical adjustment



Infusion armrest



Instrument tray



Magnetic headrest cushion



Memory Foam upholstery



Movable patient handles



Paper roll



Pushbutton control



Quick Release



Stainless steel 2L basin



Tool holder lateral bars



Urology basin

# SERENITY NEXT



# BLOOD TEST CHAIR 9SP0047P

## Standard features

- Independent backrest and legrest adjustment
- Movement served by selflocking gas springs, with lateral levers
- Anatomic paddings covered with washable fire-proof fabric
- Adjustable armrest with friction clutch
- Collapsible clamps for IV pole at the 2 sides
- Frame in steel tube painted with epoxypolyester powders
- 4 wheels with brake – 75 mm diameter



## Options



**9SP9115 (OPTION)**  
Headrest pillow



Stainless or plastic IV pole  
with 2 hooks  
(OPTION)



**9SP9110 (OPTION)**  
Paper roll holder



Stainless or plastic IV pole  
with 4 hooks  
(OPTION)

# MEMORY 9SP5231

Thanks to the specific accessories available Memory is a perfect chair for Therapy and Blood donation procedures.

## Standard features

- Adjustable armrests
- Adjustable backrest
- Adjustable legrest
- Synchronized backrest and legrest movement for easy patient positioning from sitting to bed position
- Easy to use levers at chair side enable also the patient to self-adjust the chair according to his specific needs



## Colour range



**4**  
Cream

**9**  
Orange

**15**  
Olive

**23**  
Sky

**24**  
Sea

## Options

- Paper roll holder 50cm
- Headrest pillow
- Footrest support
- IV pole
- Table
- Syringe holder
- Bag holder



Headrest pillow

# ZOE

ZOE is the new line of specialized medical chairs. The range include 4 models ranging from the transfusion version to the more advanced dialysis chair.

## Standard features

### ZOE 1

- 3 motors for back seat and leg adjustments
- Pre-setted Positions "Relax", "bed", "faint" and "shock"
- Patient chair adjustments: Back, Relax, and Leg
- Push button hand control
- Wide padded armrests adjustable in three axis orientation
- Adjustable headrest
- Central brake with total and directional locking
- 150mm twin wheels with central locking

### ZOE 2 - Additional standard features compared to ZOE 1

- 4 motors for height, seat, back and leg adjustments
  - Patient chair adjustments: Back, Relax, Leg, Up / down
- All other chair characteristics remain unchanged

### ZOE 3 - Additional standard features compared to ZOE 1

- 5 motors for height, seat, back, leg and footrest adjustments
  - Pre-setted Positions "Relax", "Bed", "Faint", "Shock" and "Chair"
  - Patient chair adjustments: Back, Relax, Leg, Up / Down, Footrest
- All other chair characteristics remain unchanged

### ZOE PRECISION - Additional standard features compared to ZOE 1

- 5 motors for height, seat, back, leg and footrest adjustments
  - Pre-setted Positions "Relax", "Bed", "Faint", "Shock" and "Chair"
  - Equipped with back up battery power supply
  - Specific for dialysis units
- All other chair characteristics remain unchanged



## Colour range



**9**  
Orange

**24**  
Blue

## Options

- Side accessory bar support
- Push/pull handle
- Back up battery power supply (when not standard)
- IV pole
- Paper roll holder
- Stainless steel side shelf
- Footrest cover



# TREATMENT TABLES

*Simple lines and easy usability are the best solutions for any practice or use.*

*The smart choice for professionals who do not want to give up on comfort and design, with a glance at the practicality and convenience.*

# 9LV0005

## EXAMINATION TABLE WITH 2 SECTIONS

- Fixed height (750 mm)
- Intermediate frame and legs made in chromed tubular steel
- Adjustable backrest with semi-automatic friction lock
- Fire-retardant polyurethane foam
- Fire-retardant fabric
- 1800x620mm



**9LV9005 (OPTION)**  
Paper roll holder

# 9LV0010

## EXAMINATION TABLE WITH 3 SECTIONS

- Fixed height (750 mm)
- Intermediate frame and legs made in chromed tubular steel
- Adjustable backrest and leg section with semi-automatic friction
- Fire-retardant polyurethane foam
- Fire-retardant fabric
- 1800x620mm



**9LV9005 (OPTION)**  
Paper roll holder

# 9LV0015

## GYNAECOLOGICAL EXAMINATION TABLE WITH 3 SECTIONS

- Fixed height (750 mm)
- Intermediate frame and legs made in chromed tubular steel
- Adjustable backrest and leg section with semi-automatic friction
- Removable sliding stainless steel tray
- Fire-retardant polyurethane foam
- Fire-retardant fabric
- 1800x620mm



**9LV9005 (OPTION)**  
Paper roll holder

### Standard colours



**555**  
Grey

**661**  
Blue

### Optional colours



**B69**  
Orange

**543**  
Green



**652**  
Black

**658**  
Beige

# 9LV0030

## PRIME LINE - EXAMINATION TABLE WITH 2 SECTIONS

- Fixed height (750 mm)
- Intermediate frame and legs made in chromed tubular steel
- Adjustable backrest with semi-automatic friction lock
- Fire-retardant polyurethane foam
- Fire-retardant fabric
- 1825x620mm

### Standard colours



**5959**  
Grey

**5003**  
Night Blue



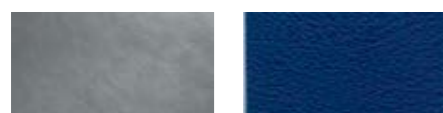
**9LV9005 (OPTION)**  
Paper roll holder

# 9LV0031

## PRIME LINE - EXAMINATION TABLE WITH 3 SECTIONS

- Fixed height (750 mm)
- Intermediate frame and legs made in chromed tubular steel
- Adjustable backrest with semi-automatic friction lock
- Fire-retardant polyurethane foam
- Fire-retardant fabric
- 1825x620mm

### Standard colours



**5959**  
Grey

**5003**  
Night Blue



**9LV9005 (OPTION)**  
Paper roll holder

# 9LV0032

## PRIME LINE - GYNAECOLOGICAL EXAMINATION TABLE WITH 3 SECTIONS

- Fixed height (750 mm)
- Intermediate frame and legs made in chromed tubular steel
- Adjustable backrest and leg section with semi-automatic friction
- Removable sliding stainless steel tray
- Fire-retardant polyurethane foam
- Fire-retardant fabric
- 1800x620mm

### Standard colours



**5959**  
Grey

**5003**  
Night Blue



**9LV9005 (OPTION)**  
Paper roll holder

# 9LV0040

## PRIME PLUS - EXAMINATION TABLE WITH 2 SECTIONS

- Electrical height adjustment (570 mm – 870 mm)
- Push button hand panel control
- Frame made in coated steel
- Thermoformed ABS carter cover
- Backrest adjustable with gas pump
- Fire-retardant polyurethane foam
- Fire-retardant fabric
- 1780x650mm

### Standard colours



**5959**  
Grey

**5003**  
Night Blue



**9LV9005 (OPTION)**  
Paper roll holder

# 9LV0042

## PRIME PLUS - GYNAECOLOGICAL EXAMINATION TABLE WITH 3 SECTIONS

- Electrical height adjustment (570 mm – 870 mm)
- Push button hand panel control
- Backrest electric adjustment
- Leg section adjustment with semi-automatic clutch
- Fire-retardant polyurethane foam
- Fire-retardant fabric
- 1780x650mm



**9LV9005 (OPTION)**  
Paper roll holder

### Standard colours



**555**  
*Grey*

**661**  
*Blue*

### Optional colours



**B69**  
*Orange*

**543**  
*Green*



**652**  
*Black*

**658**  
*Beige*

# STOOLS

*Whether fresh, elegant, reassuring or modern, our stools embody the research for the best comfort and ergonomics for your health. A pleasant seat full of memorable details.*



## PLUTO / PLUTO LE

This design stool particularly suits the most demanding professionals. Saddle seat helps the operator to work in the most correct posture.

### Standard features

- High-resistant polyurethane base equipped with 5 rubber casters (also available with friction)
- Anatomical saddle seat with seamless and high quality upholstery and fabric which enables to assume a posture with legs in V position, distributing the body weight in the correct way, releasing the strain from the spine
- Adjustable seat height and tilting
- Memory Foam seat for highest and long lasting comfort
- All stools movements completely controlled by one handle only in chrome-plated aluminum
- Independently height and tilting control of the backrest
- Possibility to customize stools in different polyurethane and fabric colors
- Available with or without backrest (PLUTO LE)



The up and down movement of the stool is controlled by moving the lever upwards.



The backrest tilt is controlled by moving the lever backwards.



The seat tilt is controlled by moving the lever forwards.

### Options

- Chromed aluminum footrest ring
- Weight tilting control



Weight tilting control



Footrest ring

## VENUS

This stool perfectly combines ergonomics and elegance. Dedicated to both right and left handed professionals and to everyone who wishes to work in the highest comfort, surrounded by the finest design.

### Standard features

- High-resistant polyurethane base equipped with 5 rubber casters (also available with friction)
- Ergonomic and seamless round seat upholstery, with high quality skay fabric
- Adjustable seat height
- Memory Foam seat for highest and long lasting comfort
- Chromed-plate aluminum handle for height stool adjustment
- Possibility to customize stools in different polyurethane and fabric colors



### Options

- The "U" shaped revolving backrest, made in PU, provides the user with a good back support and easily turns into a comfortable armrest. It can be switched from right to left for both right and left handed professionals
- Chromed aluminum footrest ring



Footrest ring



Revolving backrest

## WHY MEMORY FOAM



Memory Foam is a viscoelastic polyurethane foam: padding made with this material softens in reaction to body heat, allowing it to perfectly adapt to any body shape. Thanks to this process, there is an even pressure distribution and a full support for the back which limits compression.

Therefore, blood circulation is not compromised and possible muscle contractures can be relieved, enhancing total body comfort.

Memory Foam is typically used for pillows and mattresses, but Tecnodent have been capable to apply its comfort to their moulding technology, achieving a product representing both comfortable seating and seamless upholsteries ensuring an easy cleaning for the outmost of hygiene.

## ERGO D

Multipurpose stool with wide seat and independent up/down, backrest, seat, tilting adjustments.

### Standard features

- Chromed aluminum design base (also available in black) equipped with 5 rubber casters (also available with friction)
- Wide, ergonomic and seamless seat upholstery, with high quality leatherette fabric
- Ergonomic, comfortable backrest for perfect dorsal support, with height sliding adjustment and lever tilting control
- Three lever mechanisms to control seat and backrest tilting - up and down adjustments
- Possibility to customize the stool in different polyurethane and fabric colors
- Height adjustable with gas pump



### Options

- Chromed aluminum footrest ring
- Surgical version with antistatic casters, aluminum base with inox footrest ring, locking pedal device, height adjustment by pedal
- Foot plate control for hands free height adjustments
- Memory foam



Surgical base



Foot plate control



Footrest ring

## ERGO A

Wrapping comfortable round seat. This stool pleasantly suit every treatment purpose.

### Standard features

- Chromed aluminum design base (also available in black) equipped with 5 rubber casters (also available with friction)
- Wide, ergonomic and seamless round seat upholstery, with high quality leatherette fabric
- Height adjustable with gas pump
- Possibility to customize the stool in different polyurethane and fabric colors
- One lever to control up/down movements



### Options

- Chromed aluminum footrest ring
- "U" shaped revolving backrest, made in PU, provides the user with a good back support and easily turns into a comfortable armrest
- Surgical version with antistatic casters, aluminum base with inox footrest ring, locking pedal device, height adjustment by pedal
- Foot plate control for hands free height adjustments
- Memory foam



Surgical base



Foot plate control



Footrest ring



ERGO A with backrest

## ERGO S

Pure saddle stool conceived for those who are looking for perfect spine posture.

### Standard features

- Chromed aluminum design base (also available in black) equipped with 5 rubber casters (also available with friction)
- Anatomical saddle seat with adjustable height and tilting control (2 levers)
- Seamless upholstery with a perfect hygiene with high quality leatherette fabric
- Height adjustable with gas pump
- Possibility to customize the stool in different fabric colors



### Options

- Surgical version with antistatic casters, aluminum base with inox footrest ring, locking pedal device, height adjustment by pedal
- Chromed aluminum footrest ring
- Foot plate control for hands free height adjustments
- Memory foam



Surgical base



Foot plate control



Footrest ring

## STING ST/LE

Saddle stool model which combines perfect ergonomics with great comfort. Smooth lines, solid structure, suitable for every purpose.

### Standard features

- Chromed aluminum design base (also available in black) equipped with 5 rubber casters (also available with friction)
- Gas pump for height adjustment
- Seamless upholstery with high quality leatherette fabric
- Tilting rigidity control according to the body weight
- Tilting seat adjustment by lever
- Possibility to customize the stool in different fabric colors
- Available with or without backrest (STING LE)



### Options

- Aluminum footrest ring
- Longer gas pump L=696mm



Footrest ring



## STING OF

Stool conceived for specific surgical use. Hands free concept and utmost reliability.

### Standard features

- Comfortable ergonomic seat with possible tilting
- Adjustable backrest (height and inclination)
- Fireproof and antistatic upholstery
- Locking foot pedal device
- Antistatic castors
- Up/down movements adjustable by gas pump activated with pedal
- Aluminum base, inox footrest ring
- Memory foam handmade seat



## STING O

Stool conceived for specific surgical use. Hands free concept and utmost reliability.

### Standard features

- Comfortable ergonomic seat with possible tilting
- Adjustable backrest (height and inclination)
- Fireproof and antistatic upholstery
- Antistatic castors
- Up/down movements adjustable by gas pump activated with pedal
- Aluminum base, inox footrest ring
- Locking foot pedal device



## EGG O

Stool conceived for specific surgical use. Hands free concept and utmost reliability.

### Standard features

- Comfortable ergonomic round seat
- "U" shaped revolving backrest
- Antistatic castors
- Fireproof and antistatic upholstery
- Up/down movements adjustable by gas pump activated with pedal
- Aluminium base, inox footrest ring
- Locking foot pedal device



## EGG R

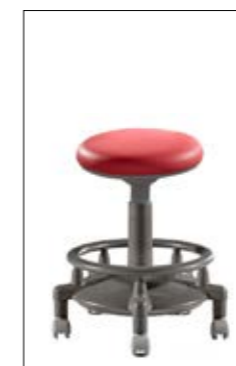
Great everlasting classic. All mechanisms are covered in integral polyurethane, which gives long lasting duration and great stability.

### Standard features

- High-resistant polyurethane base equipped with 5 rubber casters (also available with friction)
- Ergonomic and seamless round seat upholstery, with high quality leatherette fabric
- Compact PU base perfect for narrow spaces
- Possibility to customize the stool in different polyurethane and fabric colors
- Height adjustable with gas pump

### Options

- Polyurethane footrest ring
- Casters spacers to increase stool height
- "U" shaped revolving backrest. Easily turns into a comfortable armrest



Footrest ring



EGG R with backrest



## EGG IRON

This stool, with its essential and eternal design, pleasantly suits every cabinets and furniture style.

### Standard features

- Chromed aluminium design base (also available in black) equipped with 5 rubber casters (also available with friction)
- Ergonomic and seamless round seat upholstery, with high quality leatherette fabric
- Gas pump for height adjustment
- Possible customization with different colors of polyurethane and fabric



### Options

- Aluminium footrest ring
- Longer gas pump L=696mm
- "U" shaped revolving backrest, made in PU, provides the user with a good back support and easily turns into a comfortable armrest



Footrest ring



EGG IRON with backrest

## CARTS & TECHNICAL SOLUTIONS

*Versatile, durable furnishing solutions conceived to create comfortable spaces organized to meet operator needs.*



## 9CI0109

- Hydraulic serving cart with top tray made from satin-finished
- AISI 304 stainless steel
- Base made from chrome-plated steel struts with four 60 mm
- Diameter antistatic swivel castors
- Internal tray dimensions: mm 665 x 440 x 26 h
- Dimensions: mm 650 x 450 x 900/1300 h



## 9CM0012

- Stainless steel tray
- Structure made of tubular chrome plated steel
- Push/pull handle
- Removable tray-shelves made of plied
- AISI 304 stainless steel sheet
- 125 mm swivel castors on the base
- Dimensions: mm 750 x 520 x 820 h



## ZEROFIRE LINE

Zerofire® is the innovative fire proof light modular system line. Flexible, a-magnetic, and easy to clean (machine washable even at high temperature).

The extreme ease of use provided by the high degree of modularity of the components, combined with the durability of the construction materials, all of which are rigorously fireproof, all go to make Zerofire® a state-of-the-art system which is unique on the international market.

The Zerofire® modules can be positioned on castors or feet, or plinths in stainless steel, or wall mounted.

They can therefore be constructed in trolleys of differing heights, worktops both fixed and mobile, counters, tall cabinets, splash backs and wall-mounted.

The sides are fitted with a patented bayonet system to allow components to be removed with one simple movement.

The frame remains completely accessible.

Frame color.



**MEDIUM CART**  
**9ZERO1051**



**DOUBLEWIDE**  
**LOW CART**  
**9ZERO1062**

### Colours range for drawer fronts



**RAL 5012**



**317 C**



**RAL 6027**



**RAL 1033**



**RAL 2004**



**RAL 3020**

### Accessories

Shelf with 4 hooks for endoscopes 600 x 400 mm.



**9ZERO9051**

## 9CS6221

SWITCH is the user friendly electro galvanized metallic cart designed to meet the most challenging and demanding applications.

Equipped as standard with:

- Pull out work shelf 36x36cm
- Three fold down removable transparent bins on the left hand side
- Four swivel non-marking castors Ø150mm

### Notes

- Large range of drawer combinations and interchangeable accessory configurations
- Available in three cart modules: Single Drawer (Switch 45 – Switch 65) and Double drawer (Switch 90)



h 75 mm



h 150 mm



h 225 mm

### Options



9CS9771  
Plastic drawer divider kit - drawer h 75 mm



9CS9772  
Plastic drawer divider kit - drawer h 150 - drawer h 225 mm



9CS9755  
Drawer mat



9CS9938  
Removable worktop mat in pvc



9CS9915  
Accessory bridge tube



9CS9760  
Drawer labels kit 50

## 9CL6109EM

Crash cart Overtour equipped as standard with:

- Centralized drawer seal lock
- Fold down bin
- Aspirator pump support
- Defibrillator/monitor shelf
- Ampolle breaker
- Universal sharps container support
- Adjustable IV pole with 2 plastic hooks
- Oxygen cylinder support
- Cardiac massage board
- Catheter holder
- Medium waste bin 14 lt



## A-LINE 9CL6109A

Non-magnetic Overtour cart composed entirely of non-magnetic materials. Ideal and safe for use in MRI departments as this specialized cart will not interfere with the magnetic imaging equipment.



---

[www.tecnocare.it](http://www.tecnocare.it)

---

Tecnocare is the Medical division of  
Tecnodent S.r.l.

Via 63ma Brigata Bolero, 24 - 40033 Casalecchio di Reno - BOLOGNA (ITALIA)  
tel. +39 051 6131143 - fax + 39 051 575402 - P. IVA 02807791203

