



540 FACETS  
FOR A FANTASTIC  
SHIMMERING EFFECT

**DENTAL  
LED LIGHT**

**L03**





#### LED LIGHT TECHNOLOGY

LIGHT INTENSITY : 3000 TO 35000 LUX

COLOR TEMPERATURE : 5500 K

COLOR RENDERING INDEX (CRI) >90

ON/OFF SENSOR (OPTIONAL)

BUILT-IN ANTIPOLYMERIZATION FILTER

INTEGRATED MIRROR

3RD AXIX MOVEMENT

#### CROSS-CONTAMINATION CONTROL

Handle stop ring to prevent accidental contamination

Protection screen

Smooth design for easy cleaning

Removable autoclavable handles covers

On/Off sensor- no touch (option)

#### EASY MAINTENANCE

Easy access for quick and simple maintenance procedures

## L03

BUILT-IN  
ANTIPOLYMERIZATION  
SYSTEM AND DOUBLE  
OPTICAL REFLECTION  
TECHNOLOGY  
PATENTED BY G.COMM

# LAMP L03



**Easy Maintenance**



**Sensor Activation**  
(optional)



**Handle Stop Ring**  
To prevent accidental contamination.



**Removable Handles**  
The handles are removable to allow sterilization.

**Light Intensity**

The light intensity can be adjusted from **3,000** to **35,000 Lux** through lamp's keyboard.



### Composafe mode activation

The activation for the composafe mode comes through a lever on the back of the lamp

Filter OFF



Filter ON

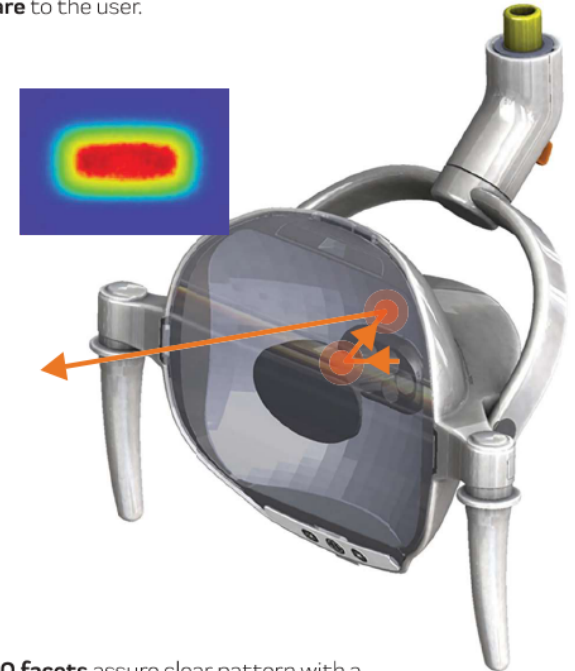


### ANTI-POLYMERIZATION FILTER

L03 has an integrated anti-polymerization system in order to avoid the activation of composites and resins.

### DOUBLE REFLECTION TECHNOLOGY

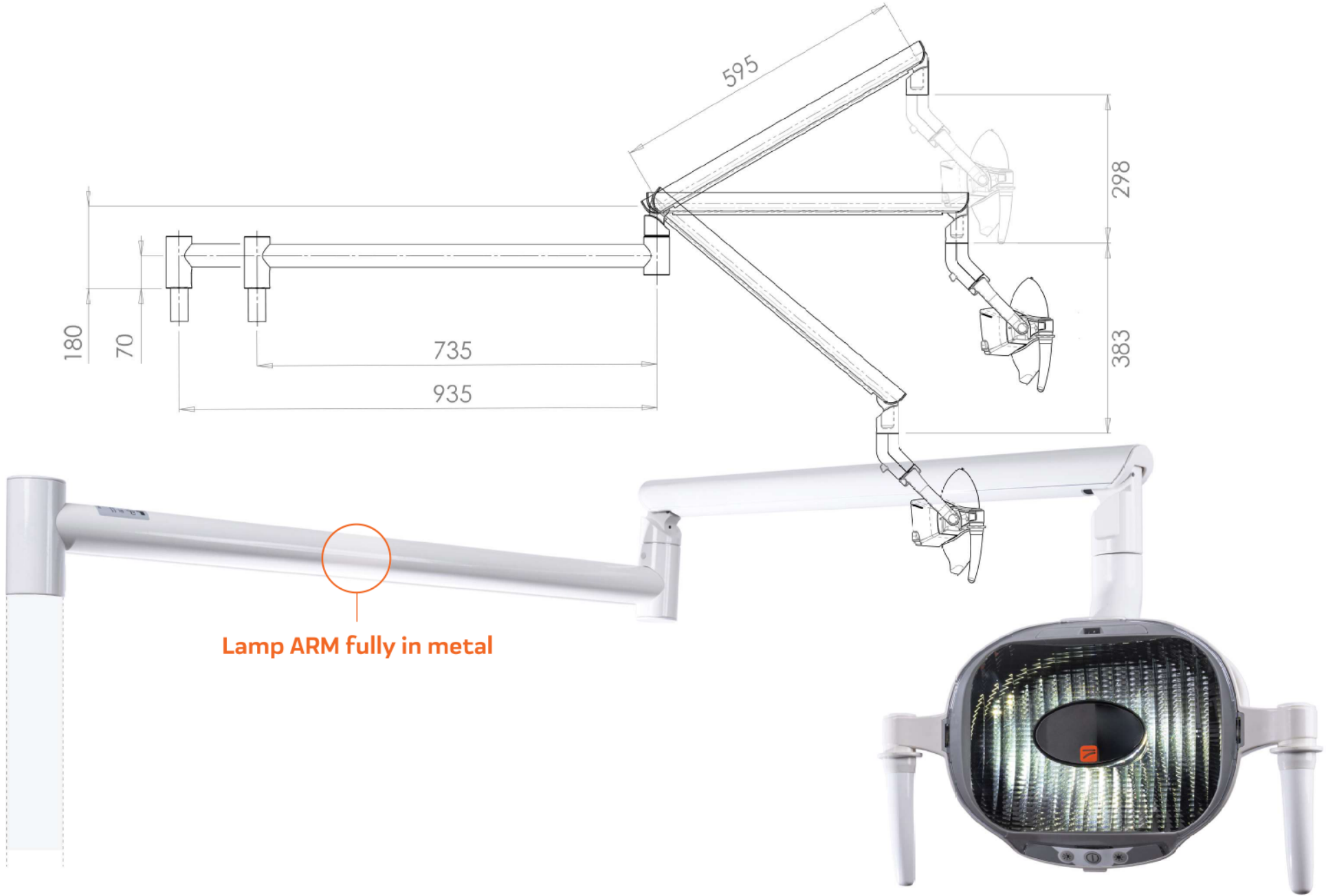
Through the use of **6 high-efficiency LEDs** the double reflection technology (patented by G.Comm) produces a high luminous intensity **avoiding any visual glare** to the user.



**540 facets** assure clear pattern with a fantastic scialtycitivity effect.

With its high **CRI (> 90)**, L03 ensures correct vision and **enormous chromatic reliability**.





<b>Light intensity (adjustable in 5 step)</b>	min.5.000Lux – max 35.000Lux ( 10%)
<b>Colour Temperature</b>	5500 K
<b>CRI</b>	> 90%
<b>Focal distance</b>	70 cm
<b>Light pattern dimension</b>	80 x 160 mm
<b>Light source</b>	6 LEDs
<b>Power supply (without transformer)</b>	12 - 24 Vac 50/60 Hz
<b>Maximum power consumption</b>	22 VA Max
<b>Packing size light head</b>	36X25X48 CM (1,5 kg)
<b>Packing size light arm</b>	83x51x10 CM (4,45 kg)

# L03

## TECHNICAL DATA



G.COMM S.r.l.  
Via XXV Aprile, 20  
20884 Sulbiate (MB)  
Tel. (+39) 039 60 60 420  
Fax (+39) 039 69 26 991  
info@gcomm-online.com  
www.gcomm-online.com



# LAMP L03

BRO.L03.07.24.EN.REV00